

DSP6060

60W Commercial Weather-Resistant Surface Mount Speaker



Description

The DSP6060 is a 60W wall-mounted waterproof speaker that combines refined design with powerful acoustics. It features an 8" woofer and a 1" tweeter, delivering bright, transparent highs and deep, resonant bass across a frequency range of 55Hz–20kHz. With 88dB sensitivity and a maximum SPL of 106dB, it provides clear and dynamic sound coverage. Its IP66 all-weather construction ensures reliable performance in outdoor plazas, leisure spaces, and modern architectural venues.

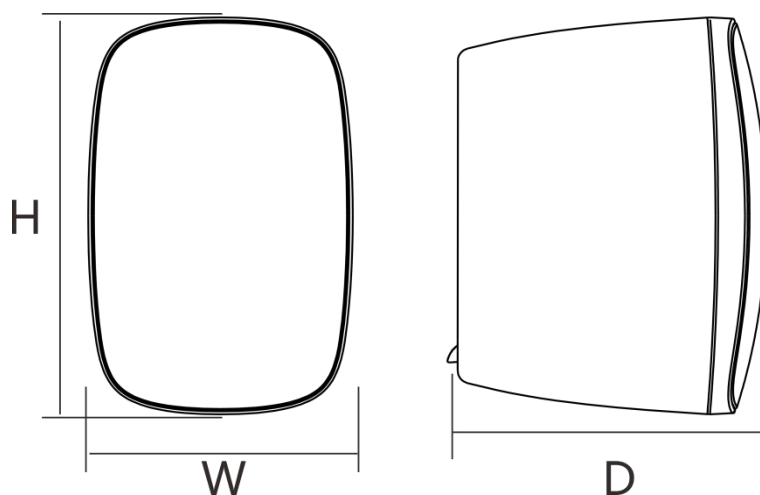
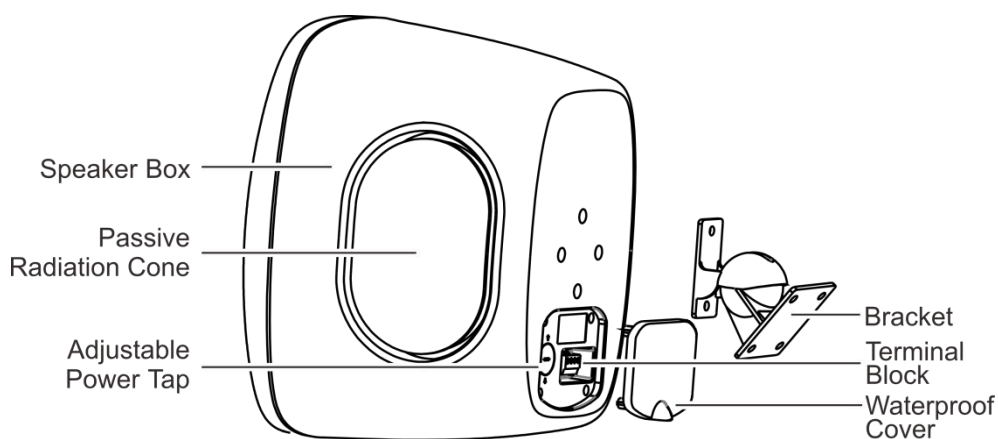
Features

- Sound quality: Engineered for exceptional audio with a passive radiator plus tweeter and woofer units, delivering clear, transparent, bright sound and rich, powerful bass.
- Design: Streamlined shape with smooth, elegant curves for a stylish, premium appearance.
- Color options: Available in black and white to complement various venue decors.
- Grille: Made of 1060 pure aluminum with hardening and anti-oxidation treatment — resists deformation and never rusts.
- Enclosure: Constructed from polymer engineering plastics — durable, safe, and reliable.
- Driver components: Tweeter diaphragm uses natural silk membrane; woofer diaphragm features polypropylene with a large magnetic circuit.
- Mounting bracket: Cast aluminum construction — no oxidation or rust, safe and durable, with multi-angle adjustment for easy installation and use.
- Waterproof rating: IP66 — all-weather design ensures reliable performance in both indoor and outdoor environments.

Specifications

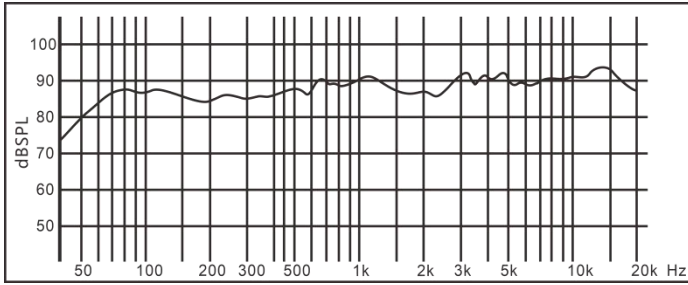
Model	DSP6060
Speaker Unit	8"×1, 1"×1
Operating Voltage	100V
Rated Power	60W
Power Adjustment	8Ω-60W-30W-15W-7.5W-3.8W
Frequency Response	55Hz-20kHz
Sensitivity (1m, 1W)	88dB±2dB
MAX. SPL. (1m)	106dB±2dB
Operating Temperature	-20°C~+50°C
Dimensions (H×W×D)	379×253×262mm
Net Weight (1PC)	6.5kg
Gross Weight (2PCS/CTN)	18.1kg

Product Information

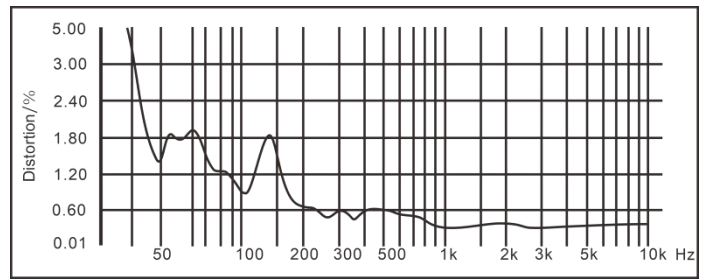


H	W	D
379	253	262

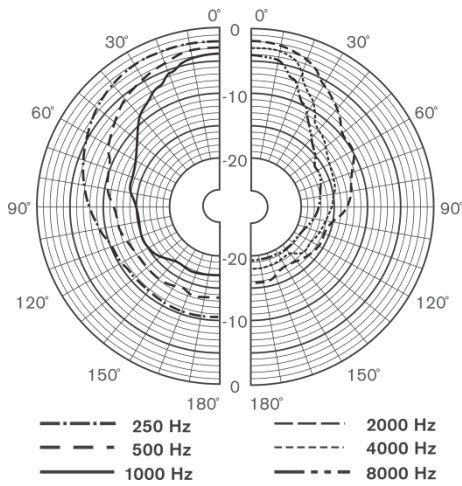
Frequency Response
(dB SPL, 1W, 1m)



Distortion
(THD<3% 1W, 1m, 100Hz-10kHz)



Vertical Directivity Pattern



Horizontal Directivity Pattern

